

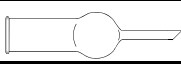


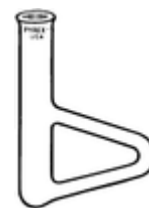
DESK EQUIPMENT FOR ORGANIC CHEMISTRY

Article	Qty	Rec'd	Ret'd
Beaker, 30 mL	2		
Beaker, 100 mL	1		
Beaker, 250 mL	1		
Beaker, 400 mL	1		
Beaker, 600 mL	1		
Beaker, 1000 mL	1		
Clamps, 3-Prong	3		
Clip, Keck, Blue 	5		
Clips, metal, for tubing 	5		
Cork Ring	1		
Drying Tube 	1		
Evaporating Dish	1		
Flask, Distilling (4620), 10 mL	1		
Flask, Distilling (4620), 50mL	1		
Flask, Erlenmeyer, 50 mL	2		
Flask, Erlenmeyer, 125 mL	2		
Flask, Erlenmeyer, 250 mL	1		
Flask, Filtration	1		
Forceps	1		
Funnel, Büchner	1		
Funnel, Stemless, 4"	1		
Funnel, Separatory	1		
Funnel, Short Stem, 3"	1		
Glass Stirring Rod	1		
Graduated Cylinder, 10 mL	1		

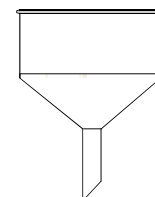
Article	Qty	Rec'd	Ret'd
Graduated Cylinder, 25 mL	1		
Graduated Cylinder, 100 mL	1		
Pipet, Pasteur, w/ latex bulb	2		
Ring, Iron	2		
Scoopula	1		
Spatula, Double, Narrow	1		
Stir Bar, Magnetic	1		
Test Tubes, up to 4"	6		
Test Tubes, 6"x1" or larger	4		
Test Tube Holder	1		
Test Tube Rack	1		
Thermometer, Blue Liquid (Note: some desks may contain <i>two</i> mercury thermometers, 150° & 360°)	1		
Thiele Tube (9540)	1		
Tubing, Rubber, 2'-3' lengths	2		
Tubing Scorer or Triangular File	1		
Watch Glass, 3"	1		
Watch Glass, 4"	1		
Wire Gauze	1		
Sealed Medicine Dropper	1		



4620

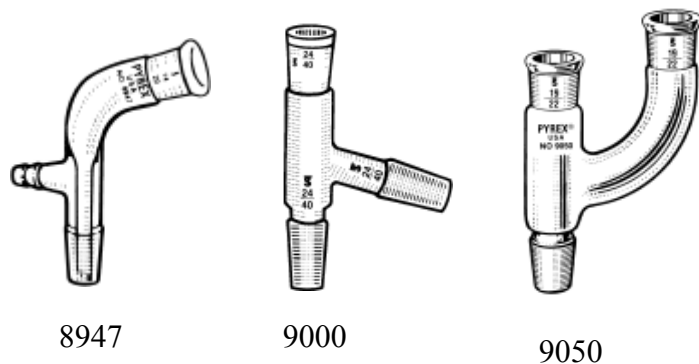
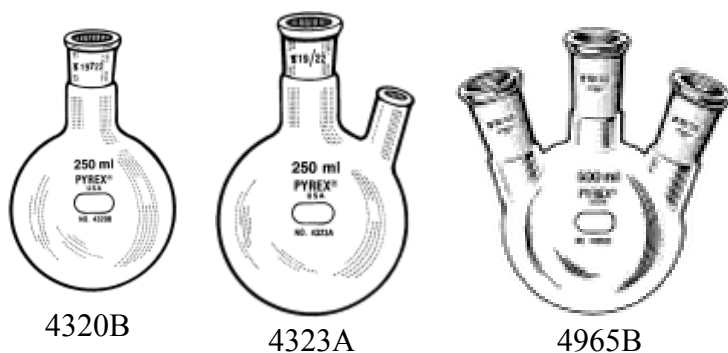
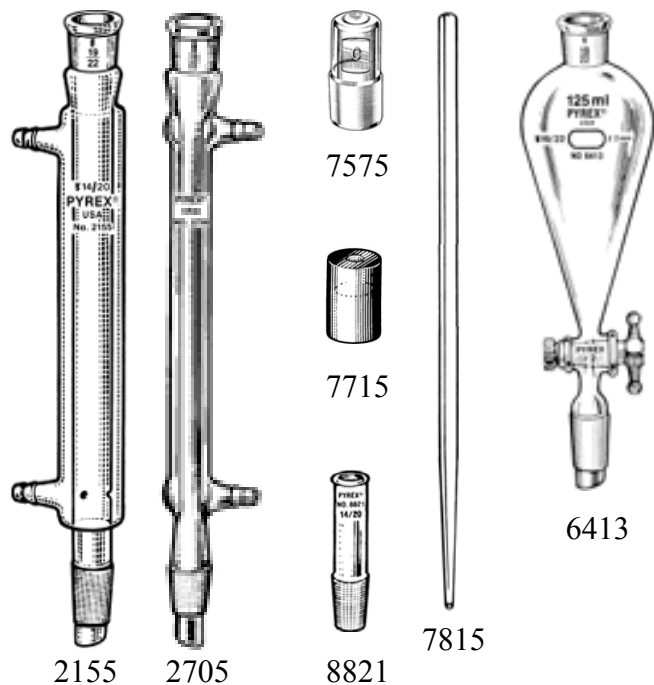


9540



Büchner
Funnel

Ground Glass Kit #: _____, CONTAINING:			
Distilling Column (2155)	1		
Condenser, West (2705)	1		
Flask, RB, (4320B), 25 mL	1		
Flask, RB, (4320B), 50 mL	1		
Flask, RB, (4320B), 100 mL	1		
Flask, RB (4323A), 250 mL	1		
Flask, RB (4965B), 500 mL	1		
Funnel, Separatory (6413)	1		
Stopper (7575)	2		
Thermometer Holder (Rubber) (7715)	1		
Tube, Bleed (7815)	1		
Tube, Adapter, Thermometer (8821)	1		
Tube, Connecting, Vacuum (8947)	1		
Tube, Connecting, 3-Way (9000)	1		
Tube, Connecting, Claisen (9050)	1		
Student Name:			
MSU ID:			
Room Number:			
Desk Number:			
Lock Number:			
<i>TA Initials</i>			
<i>Date</i>			



NOTE: FAILURE TO CHECK OUT OF LAB WILL RESULT IN A CHARGE OF \$25 PLUS ANY ADDITIONAL LOSS OR BREAKAGE.